



Fieldbus Surge Protector, Trunk Installation on Power Hub

TPH-LBF-IA1.36.DE*



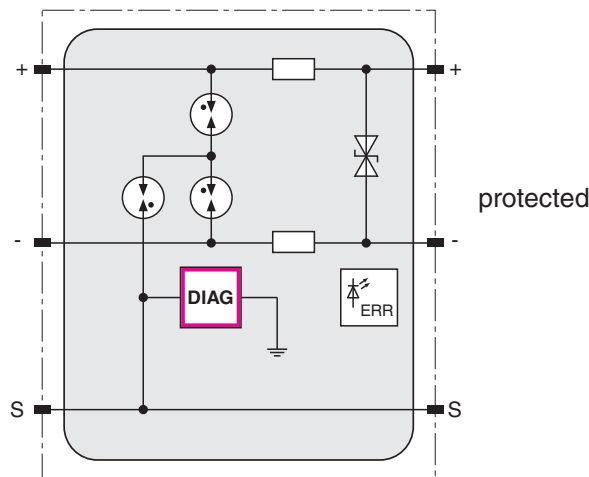
- Pluggable, mounts between Power Hub and trunk cable
- Intrinsically safe (Ex ia), FISCO, Entity, DART Fieldbus, or general-purpose
- Optional diagnostics for wear
- Grounding of shield direct
- For FOUNDATION Fieldbus H1 and PROFIBUS PA
- Indication via LED and Advanced Diagnostics



Function

This fieldbus surge protector is in accordance with IEC 61158-2 and mounts on the trunk connector of FieldConnex® High-Density and Compact Power Hubs, protecting them. It directs power surges to earth via gas discharge tubes. It is certified intrinsically safe for circuits in hazardous areas up to Zone 0/Div. 1 and DART fieldbus. The surge protector is installed in Zone 1 ... 2 or Div. 1 ... 2. Integrated diagnostics (option) continuously monitor wear caused by surges. The end of the useful life and thus the need for exchange is indicated in two ways: via an LED and in the control room via the FieldConnex® Advanced Diagnostics software. Installation on the trunk connector is without additional wiring even as retrofit. A single grounding bar connects surge protectors mounted side by side to a common grounding point.

Connection



Technical Data

General specifications			
Design / Mounting	Cabinet installation		
Fieldbus interface			
Self current consumption	max. 6 mA (for version TPH-LBF-IA1.36.DE.1) , max. 0 mA (for version TPH-LBF-IA1.36.DE.0)		
Indicators/operating means			
LED ERR	green flashing: status OK , red flashing: maintenance required , (for version TPH-LBF-IA1.36.DE.1)		
Electrical specifications			
Rated voltage	U _r	36 V	
Rated current	I _r	600 mA	

Release date: 2021-01-12 Date of issue: 2021-01-12 Filename: t157372_eng.pdf

Refer to "General Notes Relating to Pepperl+Fuchs Product Information".

Technical Data

Voltage protection level	U_p	
Line/Line		max. 50 V category B2 10/700 μ sec , 25 A max. 52 V category C1 8/20 μ sec , 300 A max. 55 V category C2 8/20 μ sec , 5 kA max. 46 V category C3 1kV/ μ sec , 10 A
Line/Earth		max. 1060 V category B2 10/700 μ sec , 50 A per line max. 800 V category C1 8/20 μ sec , 300 A per line max. 1450 V category C2 8/20 μ sec , 5 kA per line max. 1300 V category C3 1kV/ μ sec , 50 A per line max. 1080 V category D1 10/350 μ sec , 500 A per line
Reaction time	t_A	
Line/Line		max. 1 ns
Line/Earth		max. 100 ns
Overstressed fault mode		acc. IEC 61643-21 line inoperable mode 3
Series resistance in line		2 Ω +/- 5 %
Impulse durability		
Per line		5 kA category C2 8/20 μ sec
Directive conformity		
Electromagnetic compatibility		
Directive 2014/30/EU		EN 61326-1:2013
Standard conformity		
Electromagnetic compatibility		NAMUR NE 21
Degree of protection		IEC 60529
Fieldbus standard		IEC 61158-2
Climatic conditions		IEC 60721
Shock resistance		EN 60068-2-27
Vibration resistance		EN 60068-2-6
Surge protection		IEC 61643-21
Ambient conditions		
Ambient temperature		-40 ... 70 °C (-40 ... 158 °F)
Storage temperature		-40 ... 85 °C (-40 ... 185 °F)
Relative humidity		\leq 95 % non-condensing
Shock resistance		15 g 11 ms
Vibration resistance		1 g , 10 ... 150 Hz
Corrosion resistance		acc. to ISA-S71.04-1985, severity level G3
Mechanical specifications		
Connection type		screw terminals
Core cross-section		flexible wire 2.5 mm ² solid wire max. 4 mm ²
Housing material		Polyamide PA 6.6
Degree of protection		IP20
Mass		45 g
Grounding		M4 screw and external grounding rail
Data for application in connection with hazardous areas		
EU-Type Examination Certificate		SIRA 12 ATEX 2128X
Marking		Ⓔ II 1G Ex ia IIC T4
Voltage	U_i	24 V
Current	I_i	500 mA
Internal capacitance	C_i	2 nF
Internal inductance	L_i	0.1 μ H
Certificate		SIRA 12 ATEX 4176X
Marking		Ⓔ II 3G Ex nAc IIC T4 , Ⓔ II 3G Ex ic IIC T4 Class I and II, Division 1, Group C - G
Voltage U_i		33 V
Current I_i		600 mA
Internal capacitance C_i		2 nF

Release date: 2021-01-12 Date of issue: 2021-01-12 Filename: t157372_eng.pdf

Refer to "General Notes Relating to Pepperl+Fuchs Product Information".

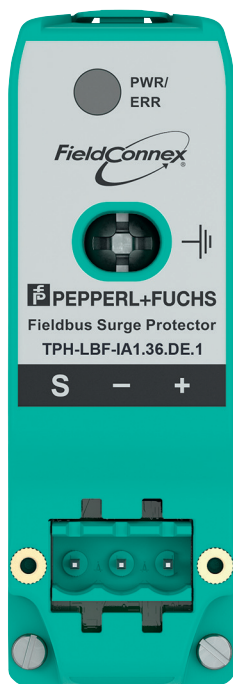
Pepperl+Fuchs Group
www.pepperl-fuchs.comUSA: +1 330 486 0002
pa-info@us.pepperl-fuchs.comGermany: +49 621 776 2222
pa-info@de.pepperl-fuchs.comSingapore: +65 6779 9091
pa-info@sg.pepperl-fuchs.com

PEPPERL+FUCHS

Technical Data

Directive conformity	
Directive 2014/34/EU	EN 60079-0:2012 , EN 60079-11:2012 , EN 60079-15:2010 , EN 60079-26:2007
Supplementary information	FISCO field device
International approvals	
CSA approval	CoC 2595441
Control drawing	116-0365
Approved for	Class I, Division 1, Groups A, B, C, D T4 Class I, Zone 1, Ex ia IIC T4 Class I, Zone 2, Ex ic IIC T4 Class I, Zone 0, AEx ia IIC T4 Class I, Zone 2, AEx ic IIC T4 Class I, Division 2, Groups A, B, C, D T4 Class I, Zone 2, Ex nL IIC T4 Class I, Zone 2, Ex na IIC T4 Class I, Zone 2, AEx nAc IIC T4
IECEx approval	IECEx SIR 12.0051X
Approved for	Ex ia IIC T4
General information	
Supplementary information	Statement of Conformity, Declaration of Conformity, Attestation of Conformity and instructions have to be observed where applicable. For information see www.pepperl-fuchs.com .

Assembly



Accessories

ACC-LBF-EB.8	8x Grounding Rail for Surge Protection, TPH-LBF* and MBHC-FB*
---------------------	---

Release date: 2021-01-12 Date of issue: 2021-01-12 Filename: t157372_eng.pdf

Refer to "General Notes Relating to Pepperl+Fuchs Product Information".

Pepperl+Fuchs Group
www.pepperl-fuchs.com

USA: +1 330 486 0002
pa-info@us.pepperl-fuchs.com

Germany: +49 621 776 2222
pa-info@de.pepperl-fuchs.com

Singapore: +65 6779 9091
pa-info@sg.pepperl-fuchs.com

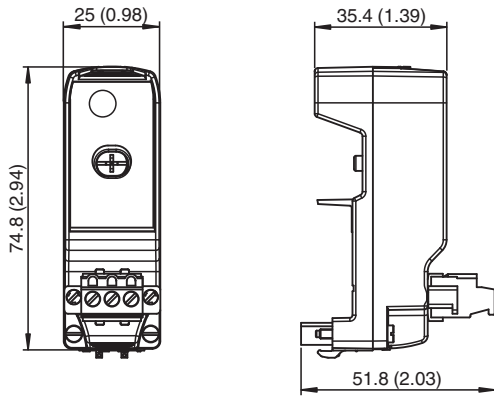
PF PEPPERL+FUCHS

Additional Information

Product Versions

Type	Description
TPH-LBF-IA1.36.DE.0	Fieldbus Surge Protector without diagnosis
TPH-LBF-IA1.36.DE.1	Fieldbus Surge Protector with diagnosis

Dimensions



Dimensions in mm (in)

Release date: 2021-01-12 Date of issue: 2021-01-12 Filename: t157372_eng.pdf

Refer to "General Notes Relating to Pepperl+Fuchs Product Information".