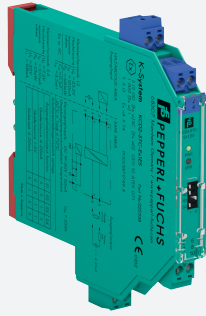


SMART Transmitter Power Supply

KCD2-STC-Ex1.ES



- 1-channel isolated barrier
- 24 V DC supply (Power Rail)
- Input for 2-wire SMART transmitters and current sources
- Output for 4 mA ... 20 mA or 1 V ... 5 V
- Sink or source mode
- Line fault detection (LFD)
- Housing width 12.5 mm
- Up to SIL 3 acc. to IEC/EN 61508



Function

This isolated barrier is used for intrinsic safety applications.

The device supplies 2-wire transmitters in the hazardous area, and can also be used with current sources.

The device transfers the analog input signal to the non-hazardous area as an isolated current value.

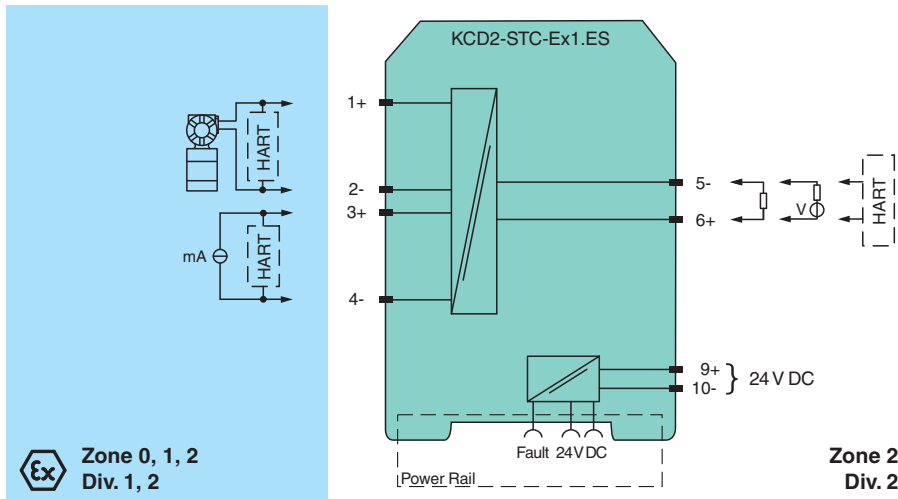
Bi-directional communication is supported for SMART transmitters that use current modulation to transmit data and voltage modulation to receive data.

The output is selected as a current source, current sink, or voltage source via DIP switches.

A fault is signaled by LEDs and a separate collective error message output.

Test sockets for the connection of HART communicators are integrated into the terminals of the device.

Connection



Technical Data

General specifications

Signal type Analog input

Functional safety related parameters

Safety Integrity Level (SIL) SIL 3

Systematic capability (SC) SC 3

Supply

Connection Power Rail or terminals 9+, 10-

Rated voltage U_r 19 ... 30 V DC

Ripple ≤ 10 %

Release date: 2021-12-16 Date of issue: 2021-12-16 Filename: 322426_eng.pdf

Refer to "General Notes Relating to Pepperl+Fuchs Product Information".

Pepperl+Fuchs Group
www.pepperl-fuchs.com

USA: +1 330 486 0002
pa-info@us.pepperl-fuchs.com

Germany: +49 621 776 2222
pa-info@de.pepperl-fuchs.com

Singapore: +65 6779 9091
pa-info@sg.pepperl-fuchs.com

PEPPERL+FUCHS

Technical Data

Rated current	I_r	≤ 50 mA
Power dissipation		≤ 800 mW
Power consumption		≤ 1.2 W
Input		
Connection side		field side
Connection		terminals 1+, 2-; 3+, 4-
Input signal		4 ... 20 mA , limited to approx. 27 mA reverse polarity protected
Line fault detection		downscaling ≤ 3 mA ; upscaling ≥ 22 mA
Voltage drop		approx. 5 V on terminals 3+, 4-
Available voltage		≥ 15 V at 20 mA terminals 1+, 2-
Output		
Connection side		control side
Connection		terminals 5-, 6+
Load		0 ... 300 Ω (source mode)
Output signal		4 ... 20 mA or 1 ... 5 V (on 250 Ω , 0.1 % internal shunt) 4 ... 20 mA (sink mode), operating voltage 16 ... 28 V
Ripple		20 mV _{rms}
Fault indication output		
Output type		fault bus signal , open collector transistor
Transfer characteristics		
Deviation		at 20 °C (68 °F) $\leq \pm 20$ μ A incl. calibration, linearity, hysteresis, loads and supply voltage fluctuations (source mode and sink mode 4 ... 20 mA) ≤ 10 mV incl. calibration, linearity, hysteresis and fluctuations of supply voltage (source mode 1 ... 5 V)
Influence of ambient temperature		< 2 μ A/K (0 ... 70 °C (32 ... 158 °F)); < 4 μ A/K (-20 ... 0 °C (-4 ... 32 °F)) (source mode and sink mode 4 ... 20 mA) < 0.5 mV/K (0 ... 70 °C (32 ... 158 °F)); < 1 mV/K (-20 ... 0 °C (-4 ... 32 °F)) (source mode 1 ... 5 V)
Frequency range		field side into the control side: bandwidth with 1 mA _{pp} signal 0 ... 3 kHz (-3 dB) control side into the field side: bandwidth with 0.5 V _{pp} signal 0 ... 3 kHz (-3 dB)
Settling time		≤ 200 ms
Rise time/fall time		≤ 20 ms
Galvanic isolation		
Input/Output		safe electrical isolation acc. to IEC/EN 60079-11, voltage peak value 375 V
Input/power supply		safe electrical isolation acc. to IEC/EN 60079-11, voltage peak value 375 V
Output/power supply		Basic isolation acc. to EN 61010-1 rated insulation voltage ≤ 50 V
Indicators/settings		
Display elements		LEDs
Control elements		DIP switch
Configuration		via DIP switches
Labeling		space for labeling at the front
Directive conformity		
Electromagnetic compatibility		
Directive 2014/30/EU		EN 61326-1:2013 (industrial locations)
Conformity		
Electromagnetic compatibility		NE 21:2017 For further information see system description.
Degree of protection		IEC 60529:2001
Ambient conditions		
Ambient temperature		-20 ... 70 °C (-4 ... 158 °F)
Mechanical specifications		
Degree of protection		IP20
Connection		screw terminals
Mass		approx. 100 g
Dimensions		12.5 x 119 x 114 mm (0.5 x 4.7 x 4.5 inch) (W x H x D) , housing type A2
Mounting		on 35 mm DIN mounting rail acc. to EN 60715:2001

Release date: 2021-12-16 Date of issue: 2021-12-16 Filename: 322426_eng.pdf

Refer to "General Notes Relating to Pepperl+Fuchs Product Information".

Pepperl+Fuchs Group
www.pepperl-fuchs.comUSA: +1 330 486 0002
pa-info@us.pepperl-fuchs.comGermany: +49 621 776 2222
pa-info@de.pepperl-fuchs.comSingapore: +65 6779 9091
pa-info@sg.pepperl-fuchs.com

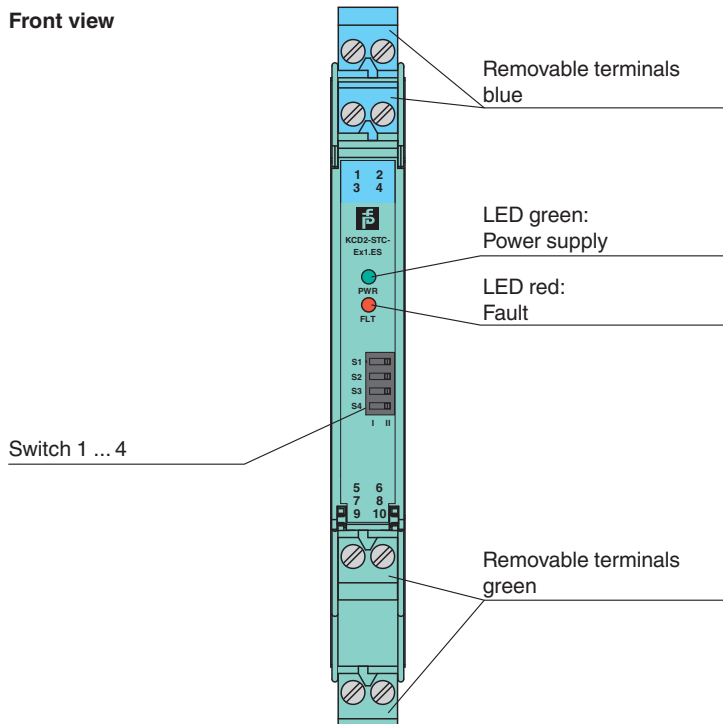
PEPPERL+FUCHS

Technical Data

Data for application in connection with hazardous areas	
EU-type examination certificate	CESI 10 ATEX 071
Marking	Ⓜ II (1)G [Ex ia Ga] IIC Ⓜ II (1)D [Ex ia Da] IIIC Ⓜ I (M1) [Ex ia Ma] I
Input Supply	Ex ia
Maximum safe voltage	U_m 253 V AC (Attention! U_m is no rated voltage.)
Equipment	terminals 1+, 2-
Voltage U_o	25.2 V
Current I_o	100 mA
Power P_o	630 mW
Internal capacitance C_i	5.7 nF
Internal inductance L_i	negligible
Equipment	terminals 3+, 4-
Voltage U_i	< 30 V
Current I_i	< 128 mA
Voltage U_o	7.2 V
Current I_o	100 mA
Power P_o	25 mW
Internal capacitance C_i	5.7 nF
Internal inductance L_i	negligible
Certificate	CESI 19 ATEX 005 X
Marking	Ⓜ II 3G Ex ec IIC T4 Gc
Directive conformity	
Directive 2014/34/EU	EN 60079-0:2012+A11:2013 , EN 60079-11:2012 , EN 60079-7:2015
International approvals	
UL approval	E106378
Control drawing	116-0378 (cULus)
IECEx approval	
IECEx certificate	IECEx CES 11.0001X
IECEx marking	[Ex ia Ga] IIC , [Ex ia Da] IIIC , [Ex ia Ma] I Ex ec IIC T4 Gc
General information	
Supplementary information	Observe the certificates, declarations of conformity, instruction manuals, and manuals where applicable. For information see www.pepperl-fuchs.com .

Assembly

Front view



Matching System Components


	KFD2-EB2	Power Feed Module
	UPR-03	Universal Power Rail with end caps and cover, 3 conductors, length: 2 m
	UPR-03-M	Universal Power Rail with end caps and cover, 3 conductors, length: 1,6 m
	UPR-03-S	Universal Power Rail with end caps and cover, 3 conductors, length: 0.8 m
	K-DUCT-BU	Profile rail, wiring comb field side, blue
	K-DUCT-BU-UPR-03	Profile rail with UPR-03- * insert, 3 conductors, wiring comb field side, blue

Accessories

	KC-ST-5GN	Terminal block for KC modules, 2-pin screw terminal, green
	KC-STP-5GN	Terminal block for KC modules, 2-pin screw terminal, with test sockets, green
	KC-STP-5BU	Terminal block for KC modules, 2-pin screw terminal, with test sockets, blue
	KF-CP	Red coding pins, packaging unit: 20 x 6

Release date: 2021-12-16 Date of issue: 2021-12-16 Filename: 322426_eng.pdf

Accessories

	<p>KC-ST-5BU</p>	<p>Terminal block for KC modules, 2-pin screw terminal, blue</p>
---	-------------------------	--

Release date: 2021-12-16 Date of issue: 2021-12-16 Filename: 322426_eng.pdf

Refer to "General Notes Relating to Pepperl+Fuchs Product Information".

Pepperl+Fuchs Group
www.pepperl-fuchs.com

USA: +1 330 486 0002
pa-info@us.pepperl-fuchs.com

Germany: +49 621 776 2222
pa-info@de.pepperl-fuchs.com

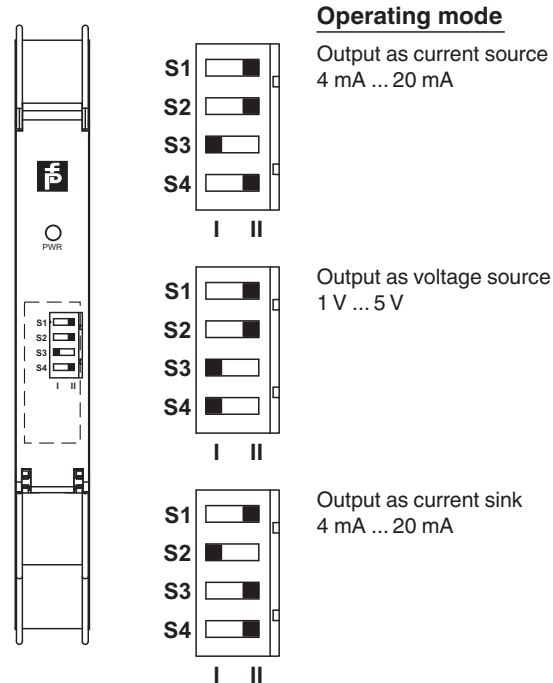
Singapore: +65 6779 9091
pa-info@sg.pepperl-fuchs.com

Application

The device supports the following SMART protocols:

- HART

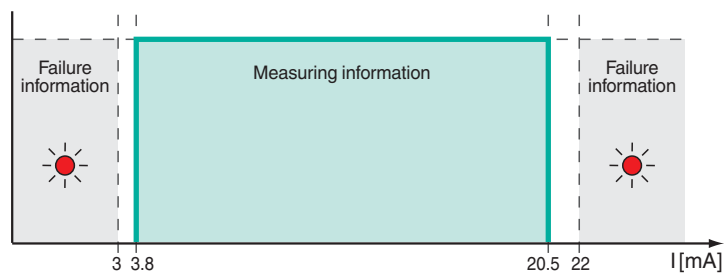
Configuration



Factory settings: output as current source 4 mA ... 20 mA

Characteristic Curve

Transfer characteristic



Release date: 2021-12-16 Date of issue: 2021-12-16 Filename: 322426_eng.pdf

Refer to "General Notes Relating to Pepperl+Fuchs Product Information".